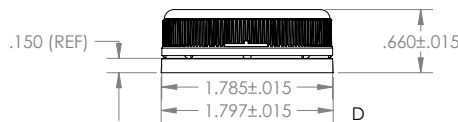
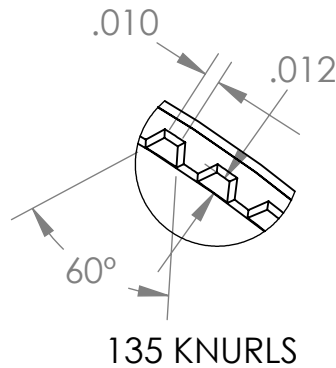
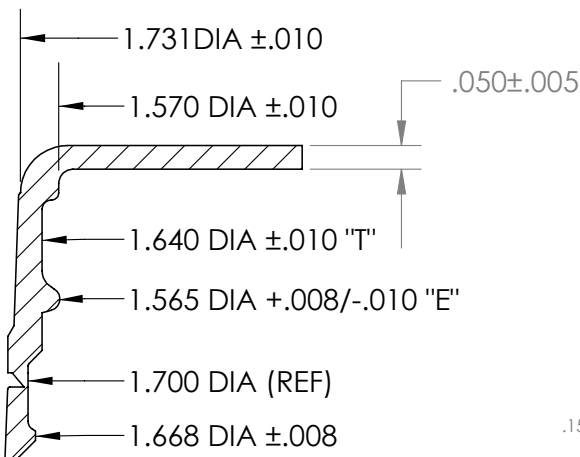


## DL-43



### MARKETS

- Food and Beverage
- Medical and Pharma
- Automotive
- Industrial
- Nutraceutical

### PRODUCT APPLICATIONS

- Hot Fill / Cold Fill Tea
- Hot Fill / Cold Fill Juice
- Vitamin Water
- Non-Carbonated Beverages
- Vitamin

### ADVANTAGES

- Can be run across multiple bottle materials
- Multiple lining options for various filling applications
- Customizable for your brand
- Band separation for tamper evidence

### CLOSURE SPECS

- Weight: 4.2gms
- Diameter: 43mm
- Height: 16.76mm

### DISC LINING MATERIAL OPTION

- SS-222 Foam
- EVA
- Foil Induction Seal

### NECK FINISH

- Double Lead 1799 PET (VHS)

### CLOSURE SEAL OPTION

- Disc Liner

### BOTTLE TYPE

- PET

### RESIN TYPE

- PP

### FILLING PROCESS

- Cold Fill
- Ambient
- Hot Fill

### CAP PACKING SPECS (PIECES)

- Carton: 1,400
- Pallet: 37,800 (3 layers)
- Truck Load: 2,268,000 (60 pallets)
- Carton: 14.5 x 12.875 x 14.75

