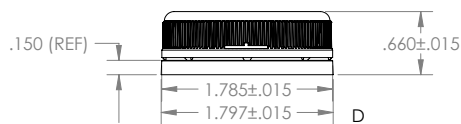
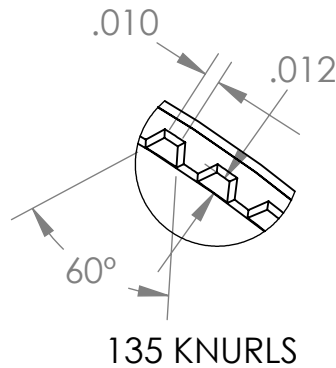
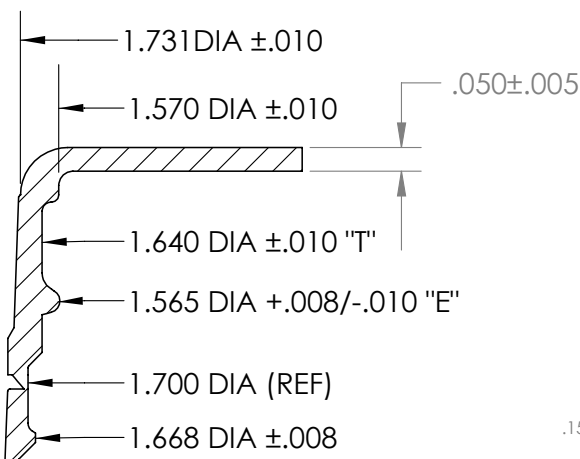


DL-43



MARKETS

- Food and Beverage
- Medical and Pharma
- Automotive
- Industrial
- Nutraceutical

PRODUCT APPLICATIONS

- Hot Fill / Cold Fill Tea
- Hot Fill / Cold Fill Juice
- Vitamin Water
- Non-Carbonated Beverages
- Vitamin

ADVANTAGES

- Can be run across multiple bottle materials
- Multiple lining options for various filling applications
- Customizable for your brand
- Band separation for tamper evidence

CLOSURE SPECS

- Weight: 4.2gms
- Diameter: 43mm
- Height: 16.76mm

DISC LINING MATERIAL OPTION

- SS-222 Foam
- EVA
- Foil Induction Seal

NECK FINISH

- Double Lead 1799 PET (VHS)

CLOSURE SEAL OPTION

- Disc Liner

BOTTLE TYPE

- PET

RESIN TYPE

- PP

FILLING PROCESS

- Cold Fill
- Ambient
- Hot Fill

CAP PACKING SPECS (PIECES)

- Carton: 1,728
- Pallet: 36,288 (3 layers)
- Truck Load: 2,177,280 (60 pallets)
- Carton: 19.25 x 12.75 x 14.5

