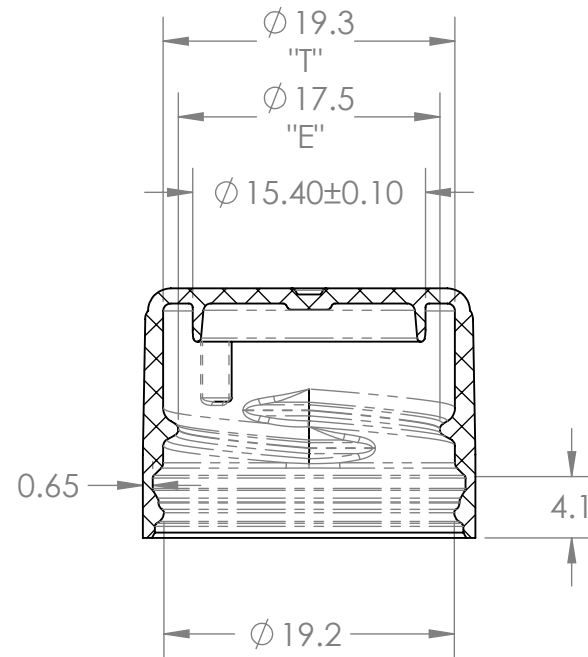
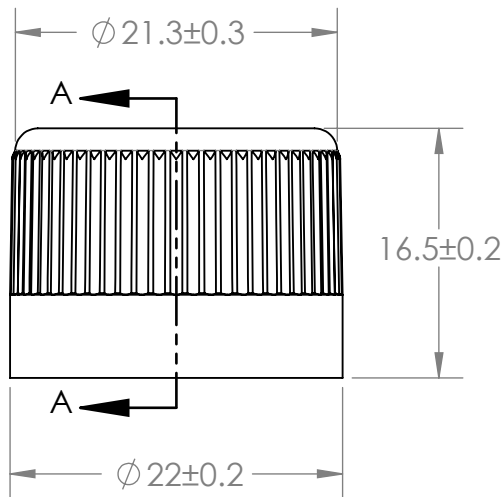


DETAIL B
SCALE 4 : 1



SECTION A-A

B	Added $\phi 21.3$, added tolerances	5/3/2022	BMB
A	Released	8/10/2021	BMB
REV.	DESCRIPTION	DATE	APPROVED

UNLESS OTHERWISE SPECIFIED:

DIMENSIONS ARE IN MM
TOLERANCES:

ANGULAR: $\pm 5^\circ$
LINEAR ± 0.15

INTERPRET GEOMETRIC
TOLERANCING PER ASME 14.5

MATERIAL
PP

FINISH

DO NOT SCALE DRAWING

NAME
BMB

DATE
20JUL21

COMMENTS:

Hoffer Plastics Corp.
500 N. Collins St.
So. Elgin, Il. 60177

TITLE:

HP 15 Cap

SIZE DWG. NO.

A HP-5-00003

REV

B

SCALE: 2:1

SHEET 1 OF 1

PROPRIETARY AND CONFIDENTIAL

THE INFORMATION CONTAINED IN THIS DRAWING IS THE SOLE PROPERTY OF HOFFER PLASTICS CORP. ANY REPRODUCTION IN PART OR AS A WHOLE WITHOUT THE WRITTEN PERMISSION OF HOFFER PLASTICS CORP. IS PROHIBITED.