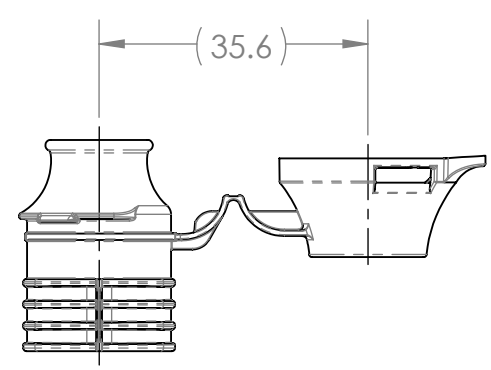
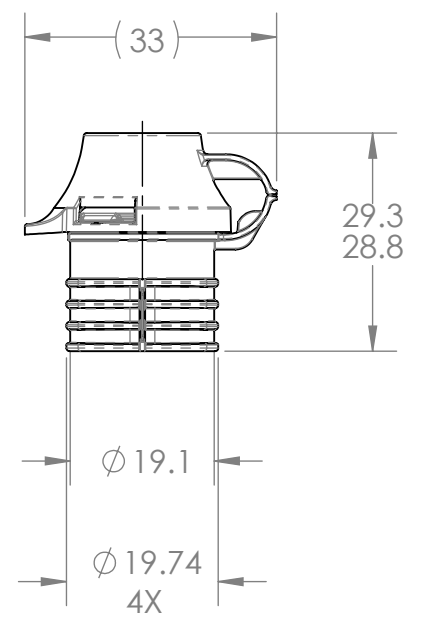
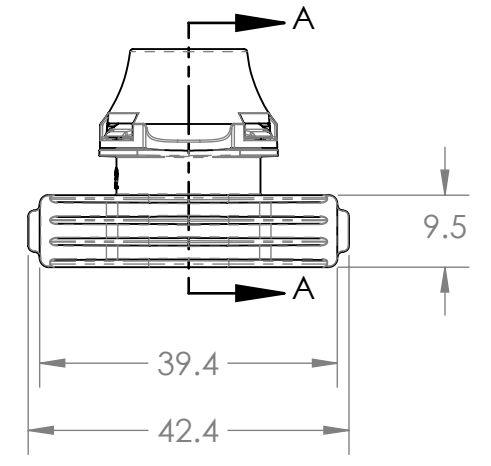
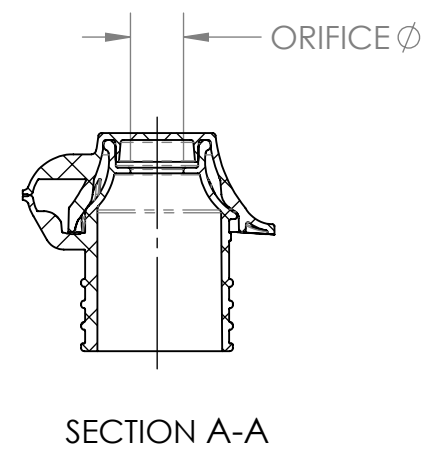
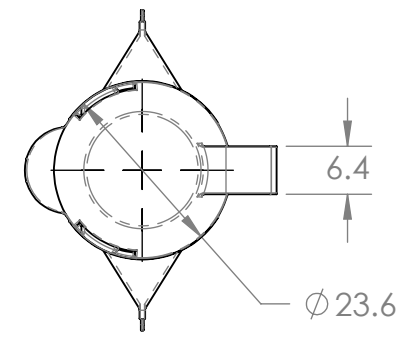
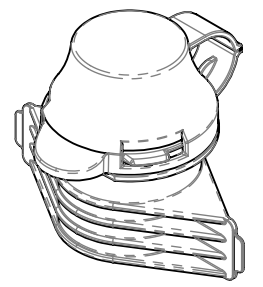


Part No	Orifice ϕ
HP-4-00001-XXXX	11mm
HP-4-00002-XXXX	7mm
HP-4-00003-XXXX	2mm



PROPRIETARY AND CONFIDENTIAL
 THE INFORMATION CONTAINED IN THIS DRAWING IS THE SOLE PROPERTY OF HOFFER PLASTICS CORP. ANY REPRODUCTION IN PART OR AS A WHOLE WITHOUT THE WRITTEN PERMISSION OF HOFFER PLASTICS CORP. IS PROHIBITED.

UNLESS OTHERWISE SPECIFIED:		NAME	DATE	Hoffer Plastics Corp. 500 N. Collins St. South Elgin, IL. 60177 TITLE: <h1>TETHER-LOK</h1>		
DIMENSIONS ARE IN MM TOLERANCES:		DRAWN	BMB			08AUG17
ANGULAR: $\pm 5^\circ$ X.X ± 0.35 X.XX ± 0.20		DESIGN APPROVED				
INTERPRET GEOMETRIC TOLERANCING PER: ASME Y14.5		COMMENTS:				
MATERIAL	PE			SIZE	DWG. NO.	REV
FINISH	SPI A-3			B	C-HP-4-0000X-XXXX	G
DO NOT SCALE DRAWING		MOLD: 5965		SCALE: 1:1	SHRINK: 1.6%	SHEET 1 OF 1