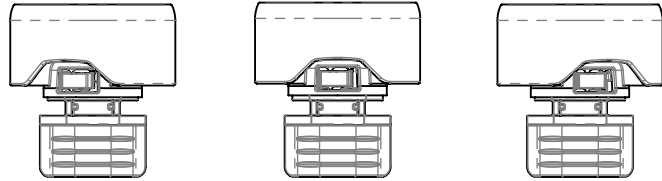
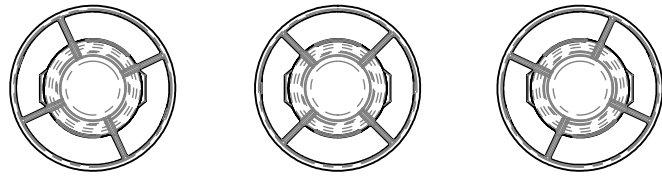
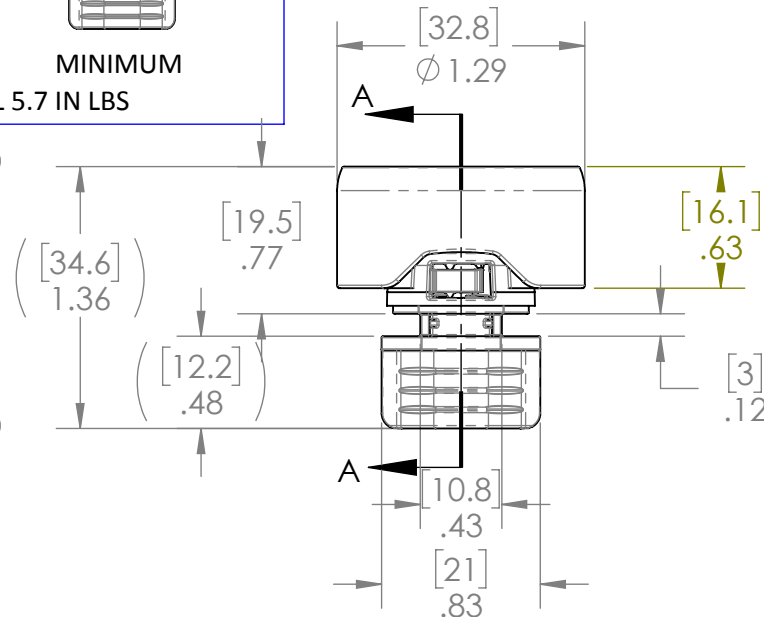
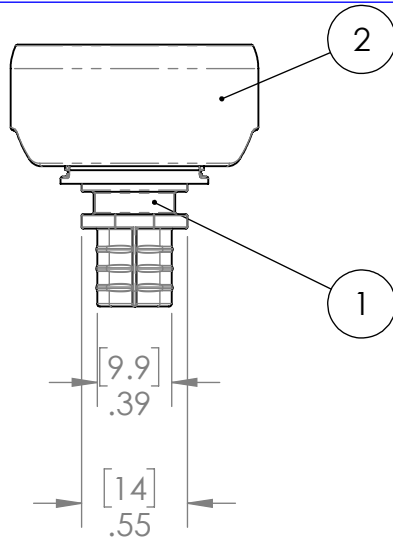
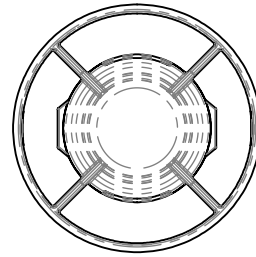


NOTE: LOCATION OF WINDOW SHOULD NOT EXCEED POSITIONS SHOWN REF: +/- 20°

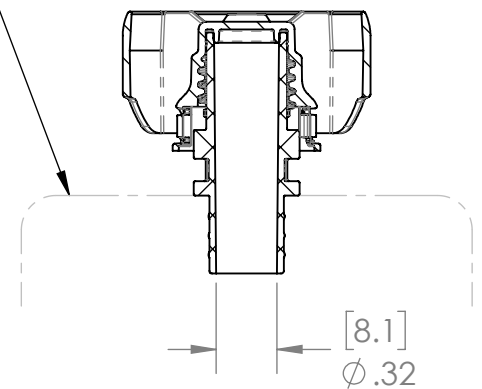


MAXIMUM NOMINAL MINIMUM
APPROX TORQUE @ NOMINAL 5.7 IN LBS

REV.	DESCRIPTION	DATE	APPROVED
A	Removed dual dimensions, updated drawing to latest models.	10/6/2017	BB
B	Added BOM, ±0.4 was ±0.38 in tolerance block.	10/31/2017	BB
C	Added dual dimensions, revised tolerance block	2/9/2018	BB
D	Changed to Soft Touch Cap	12/23/2019	BB



POUCH LOCATION TO THE FITMENT SHOWN FOR REFERENCE ONLY



SECTION A-A

UNLESS OTHERWISE SPECIFIED:

DIMENSIONS ARE IN INCHES
MM SHOWN FOR REFERENCE
ONLY
TOLERANCES:
ANGULAR: ±10°
X.XX ±.015
X.XXX ±.008

	NAME	DATE
DRAWN	CAW	12-10-15
DESIGN APPROVED	CAW	12-10-15
COMMENTS:		

INTERPRET GEOMETRIC TOLERANCING PER:

MATERIAL

FINISH

DO NOT SCALE DRAWING

Trust-T-Lok F ®

Customer Drawing

TITLE: TTL-F CAP & SPOUT
SHOWN ASSEMBLED
(REFERENCE ONLY)

SIZE DWG. NO. REV
A C-HP-3-00011 **D**

SCALE: 1:1 Shrink: SHEET 1 OF 1

ITEM	Number	DESCRIPTION	Mat'l
2	HP-1-00009	TTL-F CAP (Round)	PP
1	HP-2-00010	TTL-F SPOUT	PE or PP

PROPRIETARY AND CONFIDENTIAL
THE INFORMATION CONTAINED IN THIS DRAWING IS THE SOLE PROPERTY OF HOFFER PLASTICS CORP. ANY REPRODUCTION IN PART OR AS A WHOLE WITHOUT THE WRITTEN PERMISSION OF HOFFER PLASTICS CORP. IS PROHIBITED.