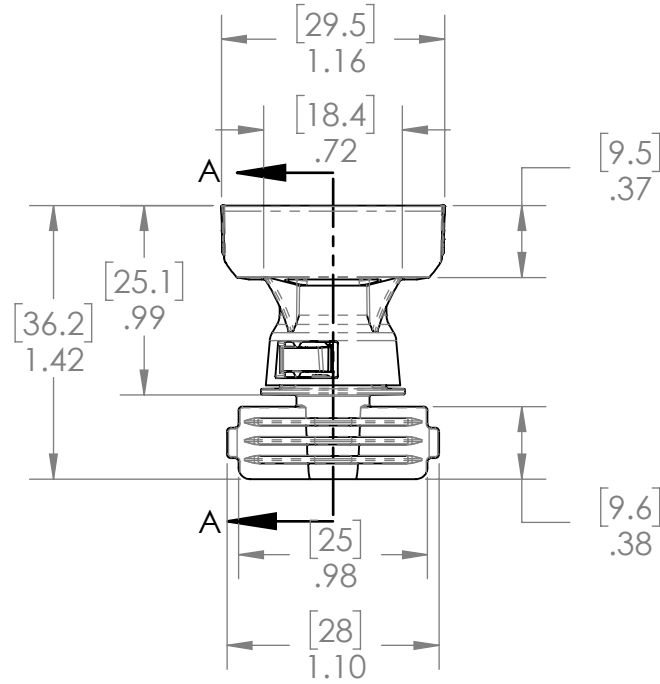
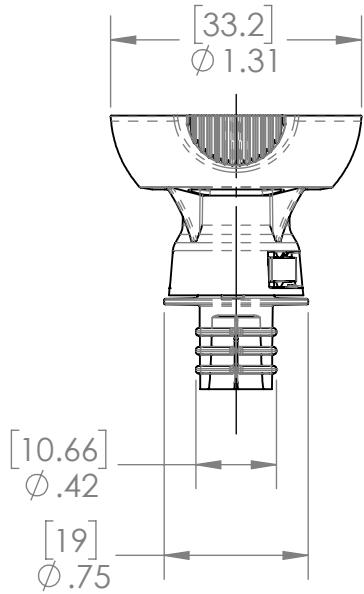
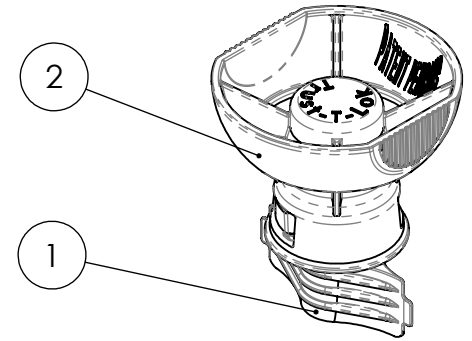
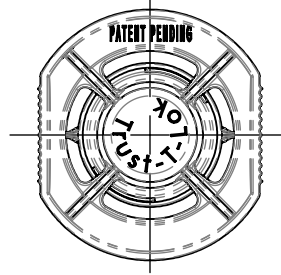
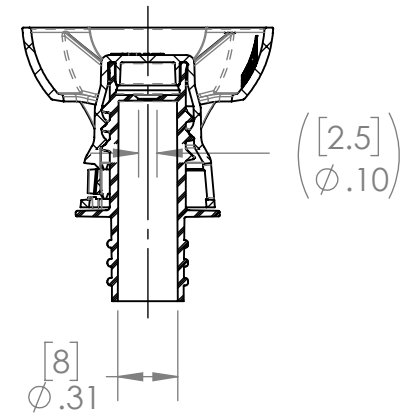


ITEM NO.	Number	DESCRIPTION	Material
1	HP-2-00007	TTL Reduced Flow Fitment	PE
2	HP-1-00005	TTL 12.5mm Flat Side Cap	PP



SECTION A-A



A	REDRAWN, ADDED ϕ .31, ADDED NOTE TO TOLERANCE BLOCK.	1/10/2017	BMB
REV.	DESCRIPTION	DATE	APPROVED

UNLESS OTHERWISE SPECIFIED: DIMENSIONS ARE IN INCHES MM SHOWN FOR REFERENCE ONLY TOLERANCES: ANGULAR: $\pm 10^\circ$ X.XX $\pm .015$ X.XXX $\pm .008$ INTERPRET GEOMETRIC TOLERANCING PER: MATERIAL FINISH DO NOT SCALE DRAWING	NAME	DATE
	DRAWN	CAW 12-9-15
	DESIGN APPROVED	CAW 12-9-15
	COMMENTS:	
	Weight (REF): 3.7g	

Trust-T-Lok ®

TITLE: Customer Drawing
TTL Reduced Flow

SIZE DWG. NO. REV
A C-HP-3-00012 **A**

SCALE: 1:1 Shrink: SHEET 1 OF 1

PROPRIETARY AND CONFIDENTIAL
THE INFORMATION CONTAINED IN THIS DRAWING IS THE SOLE PROPERTY OF HPC. ANY REPRODUCTION IN PART OR AS A WHOLE WITHOUT WRITTEN PERMISSION IS PROHIBITED.