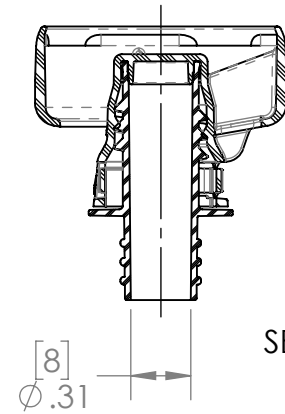
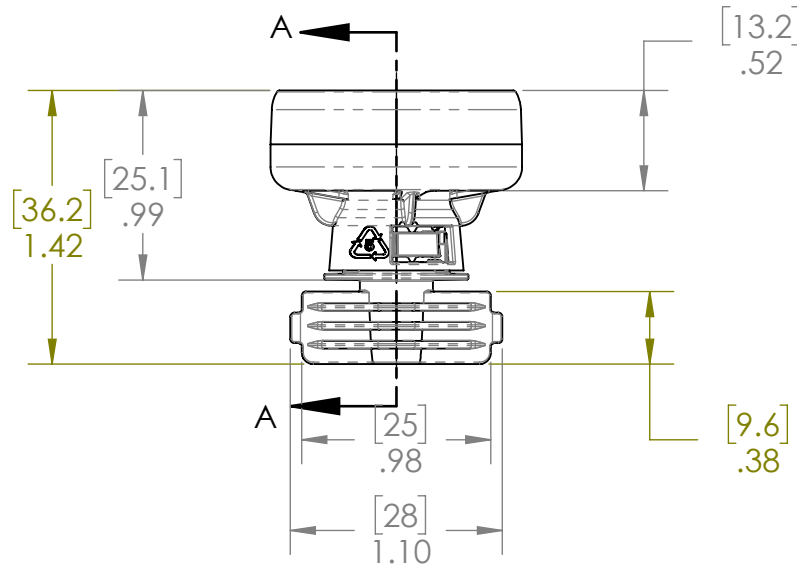
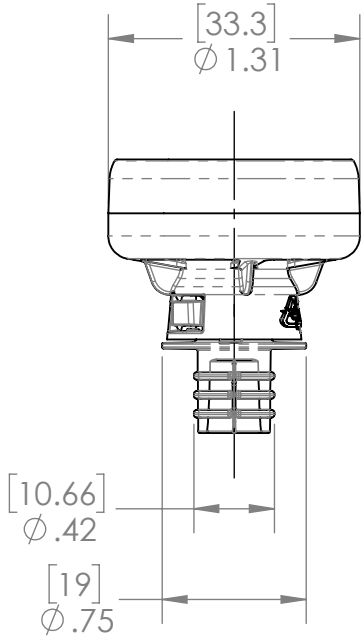
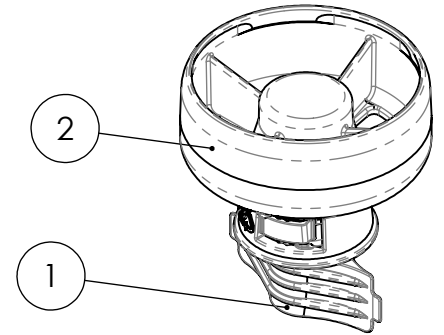
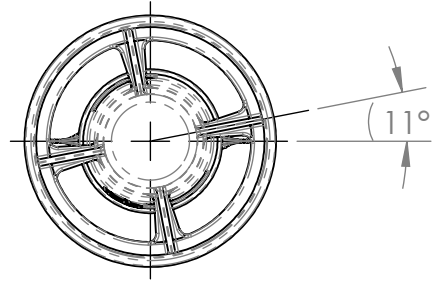


ITEM NO.	Number	DESCRIPTION	Material
1	HP-2-00006	TTL Reduced Torque Fitment	PE
2	HP-1-00002	TTL 12.5mm Round Cap	PP



SECTION A-A

A	REDRAWN, ADDED $\phi .31$, ADDED NOTE TO TOLERANCE BLOCK.	1/10/2017	BMB
REV.	DESCRIPTION	DATE	APPROVED

UNLESS OTHERWISE SPECIFIED:

DIMENSIONS ARE IN INCHES
MM SHOWN FOR REFERENCE
ONLY
TOLERANCES:
ANGULAR: $\pm 10^\circ$
X.XX $\pm .015$
X.XXX $\pm .008$

INTERPRET GEOMETRIC
TOLERANCING PER:

MATERIAL

FINISH

DO NOT SCALE DRAWING

	NAME	DATE
DRAWN	CAW	12-9-15
DESIGN APPROVED	CAW	12-9-15
COMMENTS:		

Weight (REF): 4.0g

Trust-T-Lok R®

TITLE: Customer Drawing
TTL-R Reduced Torque

SIZE DWG. NO. REV
A C-HP-3-00008 **A**

SCALE: 1:1 Shrink: SHEET 1 OF 1

PROPRIETARY AND CONFIDENTIAL
THE INFORMATION CONTAINED IN THIS
DRAWING IS THE SOLE PROPERTY OF HPC.
ANY REPRODUCTION IN PART OR AS A
WHOLE WITHOUT WRITTEN PERMISSION IS
PROHIBITED.