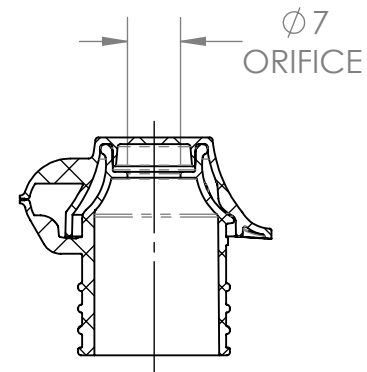
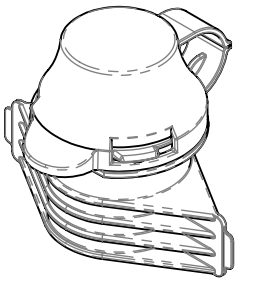
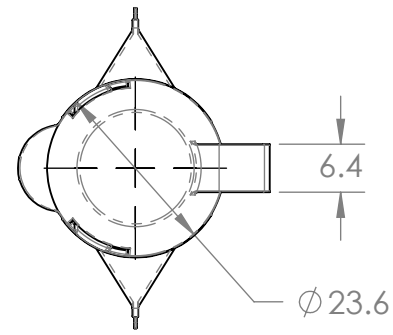
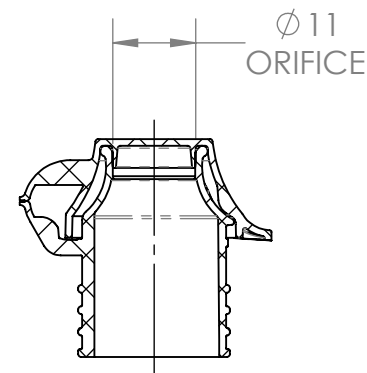
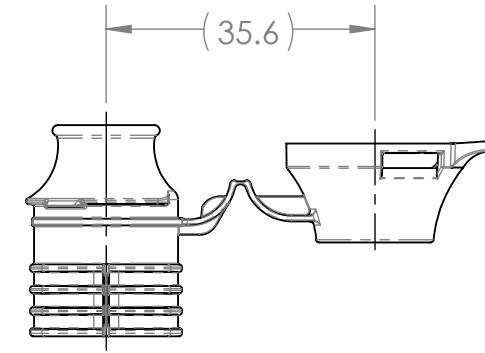
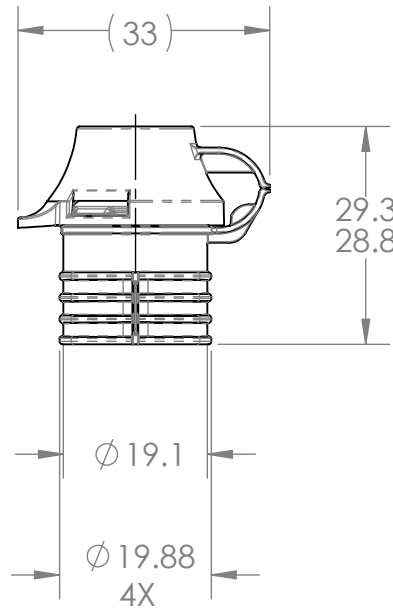
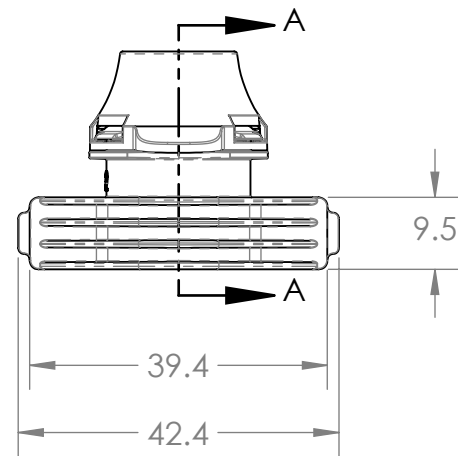


Part No	Orifice ϕ	Color
HP-4-00001-0020	11mm	White
HP-4-00002-0031	7mm	Red
HP-4-00002-0035	7mm	Green



SECTION A-A



SECTION A-A
(FULL ORIFICE)

PROPRIETARY AND CONFIDENTIAL
 THE INFORMATION CONTAINED IN THIS DRAWING IS THE SOLE PROPERTY OF HOFFER PLASTICS CORP. ANY REPRODUCTION IN PART OR AS A WHOLE WITHOUT THE WRITTEN PERMISSION OF HOFFER PLASTICS CORP. IS PROHIBITED.

B	$\phi 19.88$ was $\phi 20.07$, 29.3/28.8 was 28.8	11/28/2018	
A	RELEASED	10/23/2018	BMB
REV.	DESCRIPTION	DATE	APPROVED
UNLESS OTHERWISE SPECIFIED:		NAME	DATE
DIMENSIONS ARE IN MM		DRAWN	BMB 08AUG17
TOLERANCES:		DESIGN	APPROVED
ANGULAR: $\pm 5^\circ$		COMMENTS:	
X.X ± 0.35		Hoffer Plastics Corp. 500 N. Collins St. South Elgin, IL. 60177 TITLE: <h1>TETHER-LOK</h1>	
X.XX ± 0.20			
INTERPRET GEOMETRIC TOLERANCING PER: ASME Y14.5			
MATERIAL	PE	SIZE	DWG. NO.
FINISH	SPI A-3	B	C-HP-4-0000X-XXXX
DO NOT SCALE DRAWING		MOLD: 5965	REV B
SCALE: 1:1		SHRINK: 1.6%	SHEET 1 OF 1