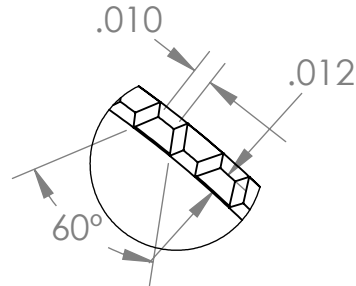


NOTES: (B)  
8 THREADS/INCH

DEVIATIONS FROM REFERENCE DIMENSIONS WHICH WILL NOT AFFECT FUNCTION ARE ACCEPTABLE.

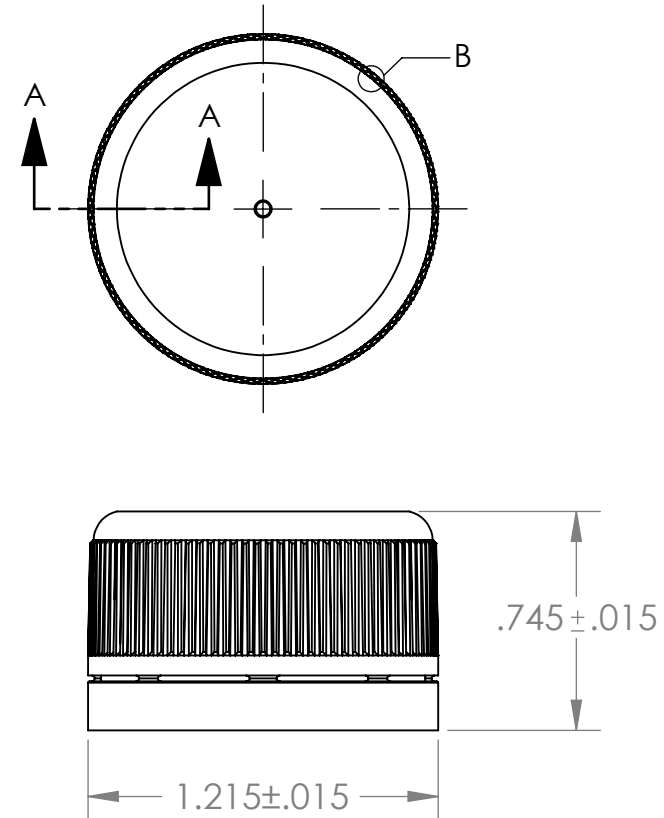
HEIGHT DIMENSIONS SUBJECT TO VARIATION DUE TO "CRUSHING" DURING PART EJECTION.

THE DROP-LOK® CLOSURE IS NOT A VENTED CLOSURE AND SHOULD NOT BE USED ON APPLICATIONS THAT PRODUCE INTERNAL PRESSURE IN THE BOTTLE DUE TO CARBONATION, FERMENTATION, ETC. (E)



90 KNURLS  
DETAIL B  
SCALE 10 : 1

REVISIONS				
ZONE	REV.	DESCRIPTION	DATE	APPROVED
	A	CHANGED NAME IN TITLE BLOCK TO HOFFER	10/8/98	SJL
	B	CHANGED 1.029 DIA TO 1.026 & REVISED NOTES	12/16/98	SJL
	C	ADDED .020 RADIUS AND 30° ANGLE	7/25/01	SJL
	C1	REDRAWN IN CAD	3/19/08	WEI
	D	REMOVED 1769 GLASS BOTTLE FINISH	5/16/08	WEI
	E	ADDED NON-VENTED CLOSURE NOTE.	3/16/12	WEI



SECTION A-A  
SCALE 3 : 1

GLASS FINISH: 1768 (D)  
PLASTIC FINISH: 1763 & 1787

**PROPRIETARY AND CONFIDENTIAL**

THE INFORMATION CONTAINED IN THIS DRAWING IS THE SOLE PROPERTY OF HOFFER PLASTICS CORP. ANY REPRODUCTION IN PART OR AS A WHOLE WITHOUT THE WRITTEN PERMISSION OF HOFFER PLASTICS CORP. IS PROHIBITED.

UNLESS OTHERWISE SPECIFIED:

DIMENSIONS ARE IN INCHES  
TOLERANCES:  
FRACTIONAL ±  
ANGULAR: ± 1°  
TWO PLACE DECIMAL ± .010  
THREE PLACE DECIMAL ± .005

INTERPRET GEOMETRIC TOLERANCING PER:

MATERIAL  
POLYPROPYLENE

FINISH

DO NOT SCALE DRAWING

	NAME	DATE
DRAWN	WEI	3/19/08
DESIGN APPROVED		
COMMENTS:		

Hoffer Plastics Corp.  
500 N. Collins St.  
So. Elgin, IL 60177



TITLE:  
**28 mm LINERLESS  
DROP-LOK®**

SIZE	DWG. NO.	REV
<b>A</b>	<b>CA 0563</b>	<b>E</b>

SCALE: 3:2 Shrink: SHEET 1 OF 1